

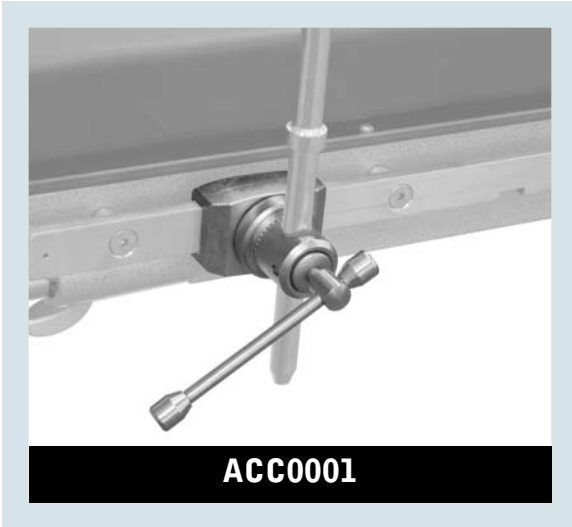


# INNOVATION

.....  
*SX800 Surgical Table Accessories Catalog*

CATEGORY	PAGE
Sockets, Side Rail Locks	2
Anesthesia Screens	3
General Accessories	4
Body Supports	6
Arm Supports	9
Leg Supports	11
Headrests	17
Fluid Collection	18
Shoulder Surgery	20
Orthopedic	21
Imaging	23
Accessory Packages	24
Accessories Used by Model	26
Accessories Used by Procedure	28

»» **Please note:** Clark Sockets and Side Rail Locks are sold separately.



### Clark Socket for 3/8" x 1 1/8" Safety Side Rail

Used for attaching accessories which have round rods sizes 5/8" ~ 11/16" (16 ~ 18 mm) onto 3/8" x 1 1/8" safety side rails, providing radial adjustment. Composed of stainless steel.



### Safety Clark Socket for 3/8" x 1 1/8" Side Rail

Used for attaching accessories which have round rods sizes 5/8" ~ 11/16" (16 ~ 18 mm) onto 3/8" x 1 1/8" or 10 x 25 mm side rails, providing radial adjustment. Includes a thumb screw for tightening the Clark Socket to the side rail. Composed of stainless steel.



### Side Rail Lock for 3/8" x 1 1/8" Side Rail

Used for attaching accessories which have flat bars sizes 5 x 25 mm (1/4" x 1"), and is tightened using a thumb screw. Composed of stainless steel.

## Anesthesia Screen

Holds the surgical drape, and can be adjusted to change the height or angle. Attaches to the side rail using a Clark Socket. This anesthesia screen is one part of the winged anesthesia screen. Composed of stainless steel.



## Winged Anesthesia Screen

Holds the surgical drape, and can be adjusted to change the height or angle. Attaches to the side rails using two Clark Sockets, on either side of the table. Made of two anesthesia screens (ACC0006) and a lengthwise tube. Composed of stainless steel.



## Malleable Anesthesia Screen

Flexible, coated stainless steel tubing is easily shaped while retaining its memory, allowing for many different draping positions. Rod ends attach to surgical table with two Clark sockets.





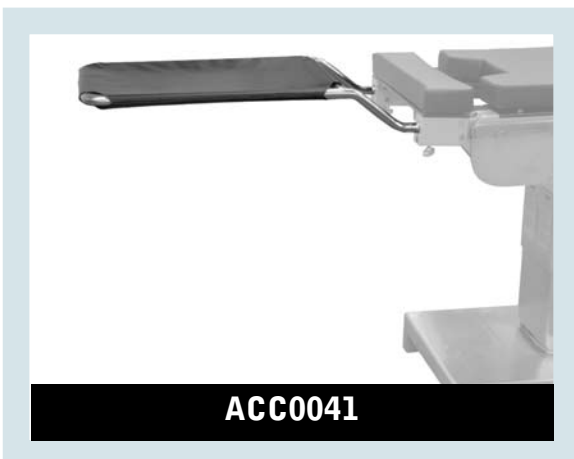
### Infusion Stand

Fastened to the side rail using a Clark Socket. Height and angle can be adjusted manually. Composed of stainless steel and plastic.



### Foot Controller

Provides surgeon with the capability to move the table when using the hand pendant is inconvenient. The Foot controller communicates with the table by way of a three meter long cord, and is used to control height, Trendelenburg, reverse Trendelenburg, and lateral tilt functions. The foot controller meets fluid ingress protection of IPX-7.



### Transfer Board

Used to give temporary support while positioning patient's legs, before or after surgery. Made of stainless steel and antibacterial, antistatic, flame-retardant material.

### Restraint Strap

Helps secure patient to the table during procedures. Made of nylon canvas, and attaches to side rail on either side of patient using included stainless steel clips.



**ACC0025**

### Stirrup Cart

This strong and lightweight cart holds and transports your stirrups or legholders. Compact and state-of-the-art, the cart will hold any stirrup from any manufacturer. The sturdy molded four-caster polymer base is dent-resistant. The deep storage bin is a great place to store clamps and pads securely.



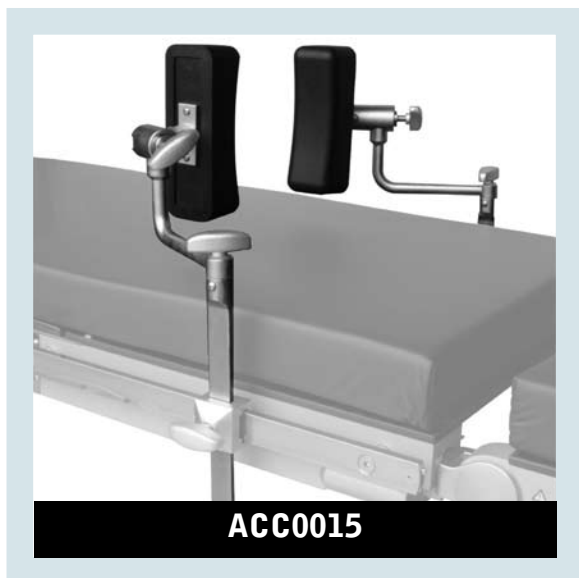
**ACC0074**

### Accessory Cart

Made of stainless steel, and rests on four swivel casters for easy movement around the operating room. Three stainless steel shelves provide ample space for accessory storage.

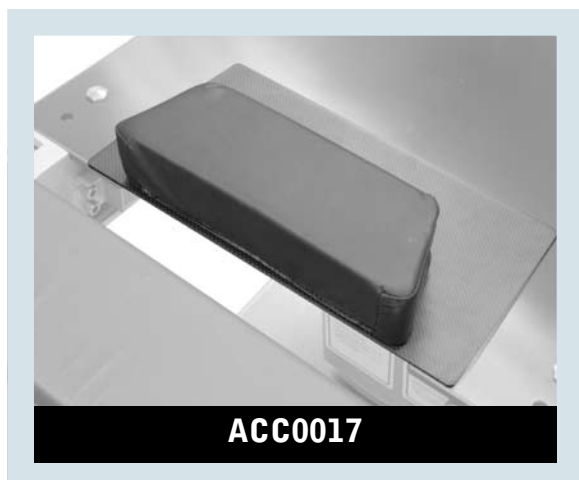


**ACC0063**



### Lateral Support

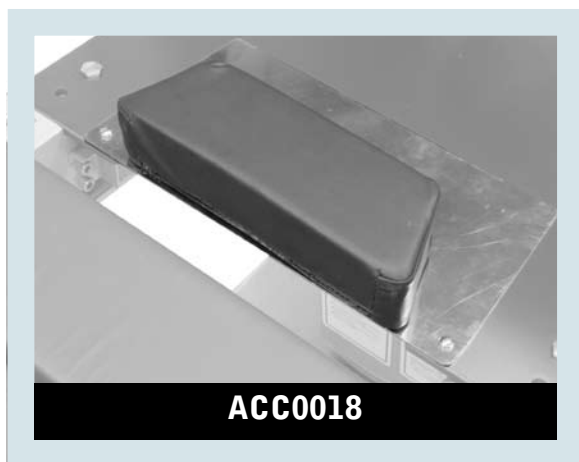
Attached anywhere along the side rails to provide the patient with lateral support. Requires a side rail lock to be secured. Includes two adjustable joints to fit patient size and position. Composed of stainless steel and an integrated polyurethane foam pad.



### Perineal Cutout Filler Piece, Carbon-fiber

Supports patient over the perineal cutout. Contains two posts which fit into holes on the seat section. Comes with antibacterial, antistatic, flame-retardant pads, made with memory foam to relieve pressure and prevent bedsores. Structure is composed of carbon-fiber for optimal x-ray translucency during radiological exams.

»» Replacement Pad: CP001708



### Perineal Cutout Filler Piece, Stainless Steel

Supports patient over the perineal cutout. Contains two posts which fit into holes on the seat section. Comes with antibacterial, antistatic, flame-retardant pads, made with memory foam to relieve pressure and prevent bedsores. Structure is composed of stainless steel.

## Dorsal Cushion

Provides support during intravertebral disk operations. Antibacterial, antistatic, flame-retardant, memory foam pad relieves pressure and prevents bedsores.

>>> **Replacement Pads:** CP001250 (Dorsal Pad)  
CP001251 (Head Pad)



## Morgan Pelvic Rest

Support bar covered in cylindrical polyurethane pad, which provides pelvic support during rectal procedures. Attaches to the surgical table side rails using two Clark Sockets. Structure is composed of stainless steel.

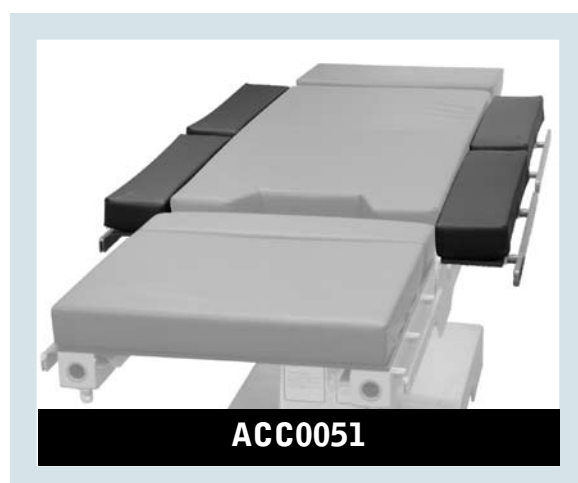
>>> **Replacement Pad:** CP001559



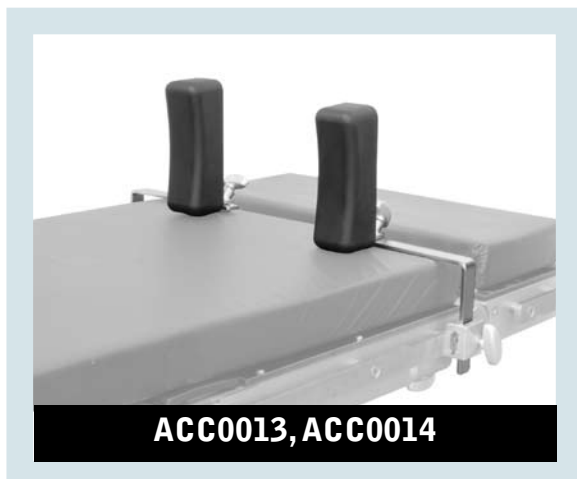
## Table Width Extender

For use with bariatric patients, extends the width of the table by 4" and is 45 cm long. Attaches to the back, seat, or leg section using an integrated clamp. Comes with antibacterial, antistatic, flame-retardant pad, made with memory-foam to relieve pressure and prevent bedsores.

>>> **Replacement Pad:** CP001731



## Body Support



### Shoulder Supports

Provide support for left (ACC0013) and right (ACC0013) shoulders during Trendelenburg procedures. Attached to the side rail using a side rail lock. Composed of stainless steel and an integrated polyurethane foam pad.

## Tabletop Pads



»» **Replacement Pads:** CP001630 Head Pad

CP001636 Body Pad  
For SX800

CP001631 Body Pad  
For SXI800

CP001632 Short Leg Pad  
For SX800

CP001633 Leg Extension Pad  
For SX800

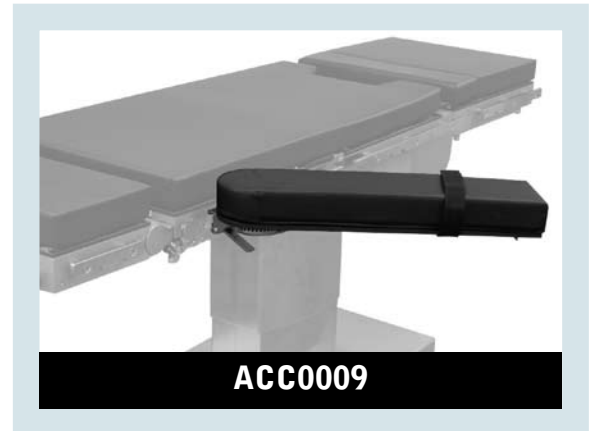
CP001634 Left Leg Pad  
For SXI800

CP001635 Right Leg Pad  
For SXI800

### Arm Board

For use when table is at or near the level position, and includes a built-in arm strap. Comes with antibacterial, antistatic, flame-retardant pads, made with memory-foam to relieve pressure and prevent bedsores. Includes fastening clamp for attachment to side rails. Structure is composed of stainless steel and phenolic board.

>>> **Replacement Pad:** CP001656



### LPS Arm Support

Provides comfortable and convenient placement of non-operative arm. Easy access to patient I.V. and enhanced stabilization of shoulder. Attaches to the surgical table using a Clark Socket.



### Flexible Hand Positioner

This aluminum malleable hand positioner is perfect for micro nerve reconstruction procedures. As a reusable-disposable product, the Hand Positioner can withstand more than 20 articulations. With two sizes the hand positioner will fit almost any surgical patient. It can be sterilized and is radiolucent.

**ACC0087-1** Regular Size

**ACC0087-2** Extra Large Size



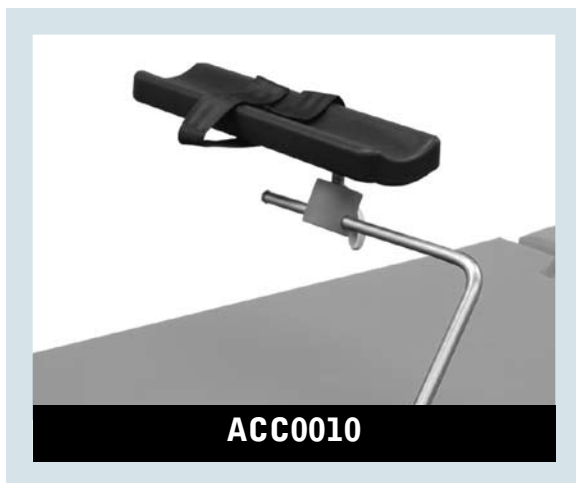
## Arm Supports



### Hourglass Table

Provides room on either side for surgeon to rest elbows during vascular and orthopedic procedures on hands or arms. Comes with antibacterial, antistatic, flame-retardant pads, made with memory foam to relieve pressure and prevent bedsores. Equipped with a clamp for attachment to any size surgical table side rail. Structure is composed of stainless steel and phenolic board.

>>> **Replacement Pads:** CP001656



### Multi-Task Arm Board

Can be adjusted to provides patient arm support in a variety of procedures. Positioned using ball-and-socket joint, and attached to the surgical table side rail with a Clark Socket. Includes a polyurethane foam pad which is curved in order to cradle the patient's arm. Structure is composed of stainless steel.

### J Stirrup

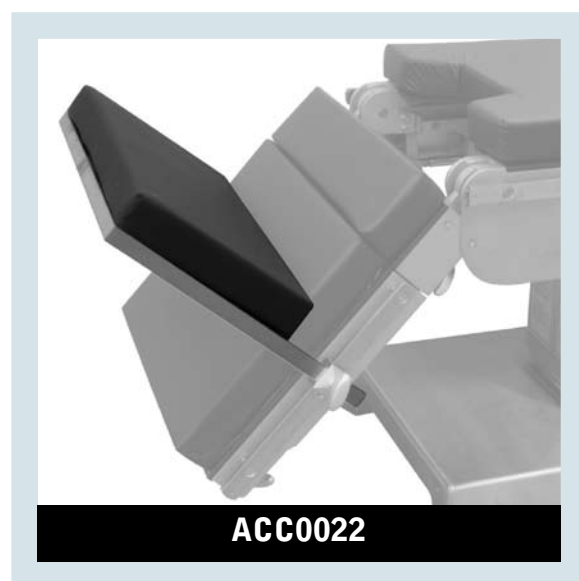
Conveniently supports the leg in the lithotomy position with a hanging strap. Attached to the side rail using a Clark Socket. Composed of stainless steel and nylon canvas.



### Foot Rest

Supports patient's weight and provides comfort using memory foam pad. Attaches to the side rails using two side rail locks. Structure is composed of stainless steel.

>>> **Replacement Pads:** CP00109



### Left (ACC0023) & Right (ACC0024) Foot Rests

Supports patient's weight and provides comfort using integrated polyurethane foam pad. Attaches to the surgical table side rails using a Clark Socket. Uses a rosette joint in order to adjust the angle of the foot rest so that it is parallel to the floor and thus can better support the patient's weight. Composed of stainless steel and integrated polyurethane foam.





### Basic Stirrups

Boot stirrup with adjustable clamping assembly locks motion in four directions with single handle for easy, one-step adjustment. Basic Stirrups are economical, and the molded boot floats to minimize pressure on the calf. Supports up to a 350 lb. (159 kg) patient. Attached to the surgical table side rail using side rail clamps. Cushioning pads are sold separately.



### Safety Drape (Case of 10 pairs)

Transparent window provides visual continuous assessment of the patient's leg during the operative procedures without breaking the sterile field. Packaged sterile.

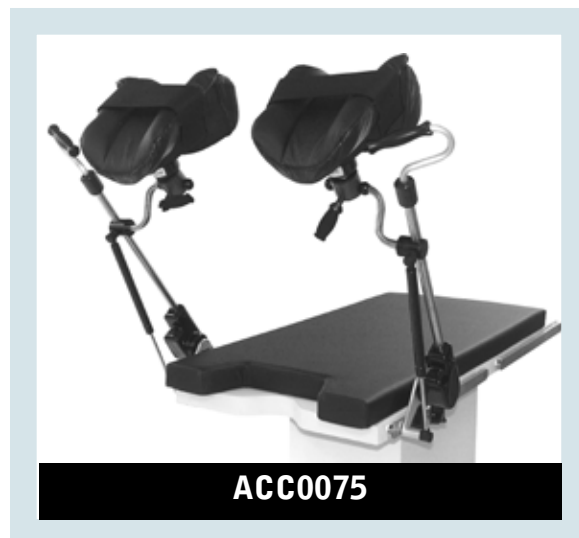


### Clear View Drape (Case of 10 pairs)

Clearly and safely monitor the leg during intraoperative adjustments. Packaged sterile.

## Cysto-Lift Knee Crutch

Incorporates patented stirrup technology allowing for simple and easy positioning of the leg during surgery. No need to access the siderail socket to make leg position changes. One convenient handle controls the level of lithotomy and abduction/adduction while maintaining the sterile field. The unique Lift Assist facilitates limb movement for enhanced caregiver safety. Doughy soft pad reduces popliteal pressure. Boot type stirrups are strongly recommended for longer procedures. Supports up to a 350 lb (159 kg) patient. Attaches to the surgical table side rail using a side rail lock.



**ACC0075**

## Elite Stirrups & Standard Stirrups

Our Elite (ACC0053) and Standard (ACC0070) Stirrups represent the gold standard in lithotomy positioning. They allow for easy adjustment of abduction and lithotomy while maintaining the sterile field. The boot design reduces pressure under the popliteal fossa and the superficial peroneal nerve. The stirrup enables safe and easy positioning while providing enhanced surgical site access. The Elite Stirrup with lift assist can support patients up to 500 lbs/227 kg. The Standard Stirrup with lift assist can support patients up to 350 lbs/159 kg. Stirrups are attached to the surgical table side rail using side rail locks. Both the Elite and Standard Stirrups are sold in pairs, and include reusable clamshell pads.

*Clamshell Stirrup Pads (ACC0191) purchased separately.*

**Boot Design** - Helps reduce pressure under the popliteal fossa and superficial peroneal nerve.

**Floating Boot** - Self-adjusting boot minimizes pressure on the calf, when moving the stirrup.

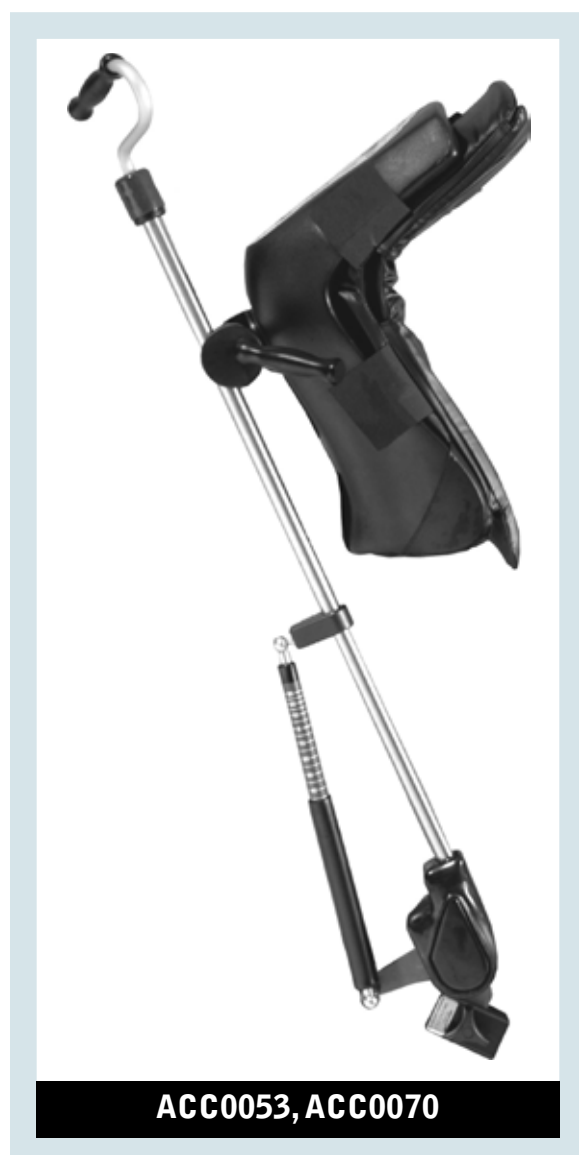
**Lift-Assist** - Allows easy movement of the leg when placing it in the desired position.

**Twist Release Grip Handle** - Provides easy intra-operative adjustment without compromising the sterile field. Simply twist the handle to secure the stirrup in all directions.

**Lithotomy range** - Set the stirrup in any position between +84° to 33° lithotomy.

**Abduction Range** - Set the stirrup in any position between +25° to 9° abduction.

**Lithotomy & Length Indicators** - Visual indicators that help ensure precise positioning. Both the Elite and Standard Stirrups come with a reusable clamshell pad.



**ACC0053, ACC0070**



**ACC0054**

### Heavy Duty Stirrups

The Heavy Duty Stirrup is an upgrade of the Standard Stirrup. The reinforced rod and joint assembly and the boot make the system capable of positioning a patient weighing up to 720 lbs. (327 kg). Though designed for large patients, this product is still appropriate for use with the general patient population. Attached to the surgical table side rails using side rail locks. Sold in pairs, and includes reusable clamshell pads.

**720 lb (327 kg) Patient Weight Capacity** - Supports lithotomy positioning for very large patients.

**Floating Boot** - Self-adjusting boot minimizes pressure on the calf, when moving the stirrup.

**Lift-Assist** - Allows easy movement of the leg when placing it in the desired position.

**Twist Release Handle** - Provides easy intraoperative adjustment without compromising the sterile field. Simply twist the handle to move the stirrup in all directions.

**Lithotomy Range** - Set the stirrup in any position between +84° to 33° lithotomy.

**Abduction Range** - Set the stirrup in any position between +25° to 9° abduction.

**Lithotomy & Length Indicators** - Help ensure precise positioning.



**ACC0072**

### Junior PAL Stirrups & Little PAL Stirrups

Easy to use, comfortable, and secure leg positioning for pediatric patients of all ages. Simultaneous abduction and lithotomy adjustments are easily made via single handle, while maintaining the sterile field. Boot is adjusted with a single clamp, making positioning simple. Junior PAL Stirrups (ACC0072) are suitable for most pediatric patients ages 7-11 years old, and support up to 250 lbs (113 kg). Little PAL Stirrups (ACC0073) are suitable for most pediatric patients ages 3-6 years old, and support up to 160 lbs (73 kg). Attached to the surgical table side rail using side rail locks.

**Pediatric Boot Design** - Special boot designed to fit pediatric anatomy, and cradles the calf, ankle, and heel in a natural position.

**Floating Boot** - Self-adjusting standard boot minimizes pressure on the calf, when moving the stirrup.

**Reusable Clamshell Pad** - Completely encapsulates the foot, ankle, and calf to protect, cushion, and reduce pressure on these areas.

**Visual Indicators** - Help ensure precise positioning.

**Lithotomy Range** - Set the stirrup in any position between +90° to 35° lithotomy.

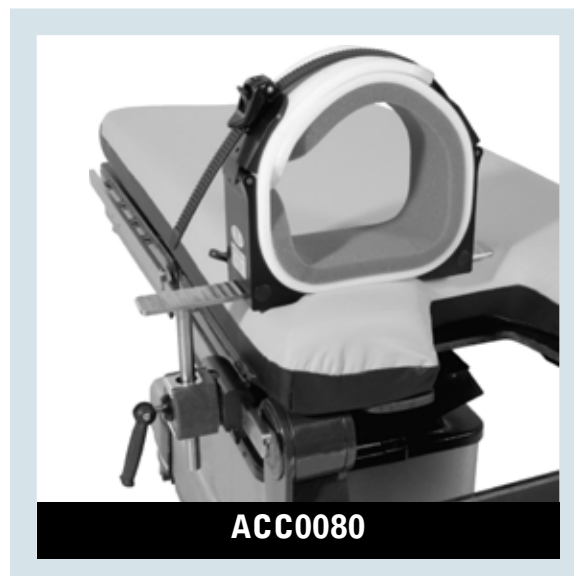
**Abduction Range** - Set the stirrup in any position between +25° to 9° abduction.



**ACC0073**

### Deluxe Arthroscopic Legholder System

Smooth, uni-directional locking mechanism enables the caregiver to set rigid fixation with one hand. The hinged upper brace accommodates all sizes of patients while the structurally enhanced design enables the staff to apply pressure both medially and laterally. The ratchet-style securement strap easily adjusts for the precise amount of compression. Holds legs up to 35" (89 cm) in circumference. Attaches to the surgical table side rail using a Clark Socket.



### Leg Holder

Supports the leg with an integrated polyurethane curved foam pad. The leg holder can be adjusted to change the height or angle using a Clark Socket, which attaches it to the surgical table side rail. The leg holder also includes a ball-and-socket joint for radial rotation, and a leg strap to secure the patient's leg. Composed of stainless steel and integrated polyurethane foam pad.



### Top Foam Pad (case of 10 pairs)

Used with stirrups to cushion the patient's leg.



## Leg Supports



### **Egg Crate Foam (case of 10 pairs)**

Disposable egg crate foam protects patient's feet and lower legs against pressure points.



### **Clamshell Stirrup Pads (pair)**

These pads can be used with the Heavy Duty, Elite, Standard, and Basic stirrups, and provide cushioning to help eliminate pressure points.

## Neurosurgery Headrest

Used to stabilize the skull during neurosurgery, and attaches to the SX800 and SXI800 Series Surgical Tables using the ACC0035 Adjustable Headrest Adapter. Please ask your local sales representative for more information on the full line of DORO® accessories.



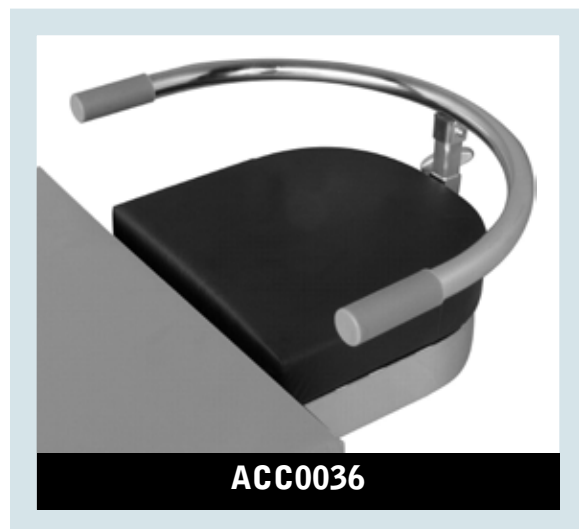
## Adjustable Headrest Adapter

Provides adjustable insertion points for DORO® and other neurosurgery headrests. Installed onto the back section, in both normal and reverse orientation. Composed of stainless steel.



## Ophthalmic Headrest with Surgeon Wrist Support

Provides surgeon with full access to the facial region, while the wrist support bar helps prevent fatigue. Comes with antibacterial, antistatic, flame-retardant pad, made with memory-foam to relieve pressure and prevent bedsores. Has two bars used for insertion into the SX800 and SXI800 back section. Structure is composed of stainless steel.





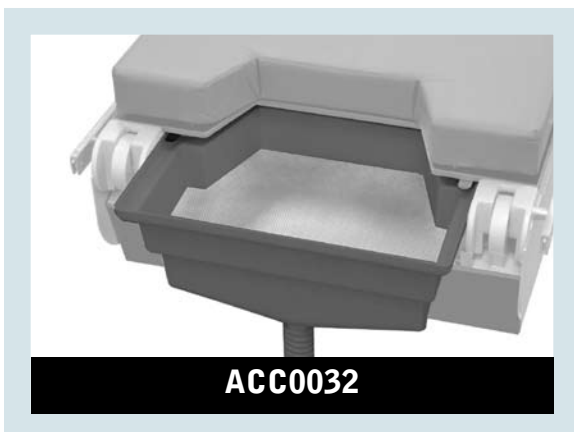
### Uro Catcher System

Provides excellent fluid containment for hysteroscopy or cysto procedures on any table. Flexible drape support frame provides unobstructed surgeon access during manipulation and springs back to its original state to facilitate optimal fluid drainage. Mounts easily with integral rail clamps to side rails and maintains its funnel shape.



### Fluid Collector Bags

Open mesh filter allows for fast drainage of fluids. The flexible drain hose is compatible with all suction systems for accurate fluid measurement and metering. Velcro securement eliminates the need to use tape. Durable, latex-free drape has flexible hose. Length of tubing is 64" (162.5 cm) extended, 20" (50.8 cm) compressed. Tubing diameter is 7/8" (2.2 cm). Case includes 10 non-sterile bags.



### Plastic Drain Pan

Used to collect liquid drainage during urological and gynecological procedures. Attaches to the bottom of either the SX800 or SXI800 seat section, or the IA Extender.

## Deep Plastic Drain Pan

Used to collect liquid drainage during urological and gynecological procedures. Attaches to the bottom of either the SXI800 seat section, or the IA Extender.



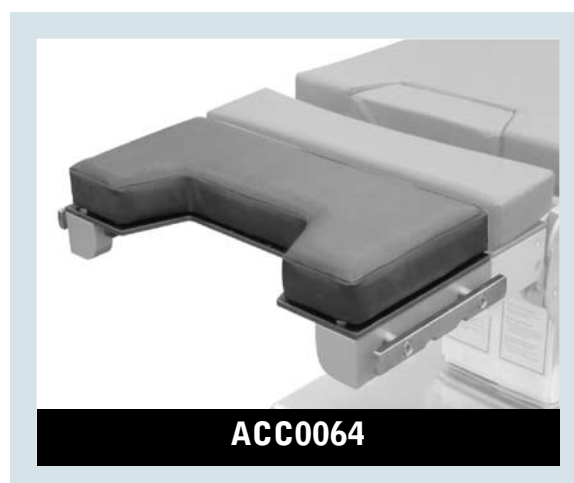
## Metal Drain Pan

Used to collect liquid drainage during urological and gynecological procedures. Attaches to either the SX800 or SXI800 back section, the SX800 short leg section, the SXI800 seat section, or the IA Extender. Made out of stainless steel.



## IA Extender

Useful in urology and other procedures which require ample IA (imaging access) coverage. In normal orientation it can be attached to either the SX800 short leg section, or the SX800 seat section. In reverse orientation it can be attached to either the SXI800 or SX800 back section. Includes a perineal cutout. Has insertion points which are identical to those of the table so that other accessories such as drain pans, Uro catcher system, etc. can be attached. Made with radiolucent phenolic board, and includes a 2 1/2 in (6.3 cm) thick pad.



>>> **Replacement Pad:** CP001709



### Shoulder Attachment

Used to support the patient in the seated position while providing the surgeon with access to the shoulder region. Attaches to the SX800 short leg section to permit powered movement.

- »» **Replacement Pad:** CP001520 (Back)  
CP001521 (Side)  
CP001597 (Head)



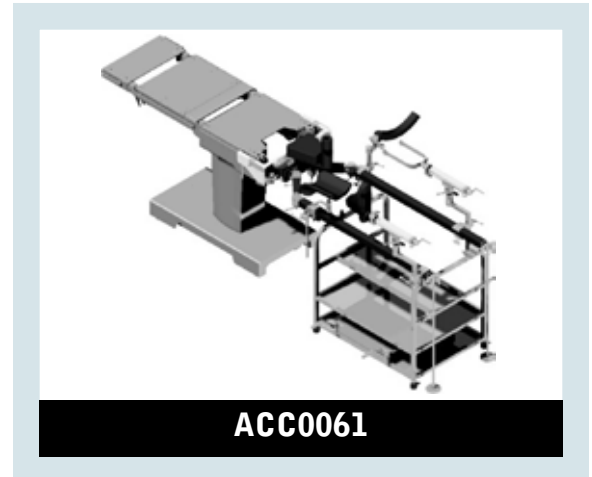
### Pneumatic Shoulder Attachment

Used to support the patient in seated position while providing the surgeon with access to the shoulder region. Attaches to the SXI800 seat section, and uses pneumatic power for articulation.

- »» **Replacement Pad:** CP001520 (Back)  
CP001521 (Side)  
CP001597 (Head)  
CP001513 (Lower Back)

### SX800 Orthopedic Extension

Complete set of orthopedic accessories for use with the SX800 series. Carbon fiber abductor bars are rested on cart during insertion onto the side rails of the seat section. Includes full range of accessories needed for lower limb traction.



### SXI800 Orthopedic Extension

Complete set of orthopedic accessories for use with the SXI800 series. Carbon fiber abductor bars are rested on cart during insertion into the seat section. Includes full range of accessories needed for lower limb traction.



### Traction Tower

This simple, but effective unit mounts with ease to the surgical table side rail with a clamp which is attached to the vertical post. This 36" rod is height-adjustable, using the clamp. The 30" boom angle can be adjusted and rotated 360°. This length provides the versatility to place the tower on either side of the OR table.





### Arm Trap

Used for arm traction during Orthopedic surgery, arm traps are provided non-sterile with a suspension rope and self-adhesive tape. Can be autoclaved.



### Equalizing Device

Provides equal traction to all five fingers, and is autoclavable. Used with Mesh Finger Traps (ACC0083) or Stainless Steel Finger Traps (ACC0084).



### Mesh Finger Traps

Latex-free, double-sleeved soft mesh material firmly grips fingers and hands to provide a comfortable, custom fit to each traction procedure. Can be purchased sterile nonsterile.

## Stainless Steel Finger Traps

Used to provide traction for fingers during orthopedic procedures, these long-lasting wire traps can be autoclaved.



# Imaging

### Cassette Top for SX800L (ACC0046)

Attaches to the top of the table, to permit convenient lateral insertion of the x-ray cassettes. Covers the entire length and width of the table, and is easily removable. Made of phenolic board for radiolucency.

### Cassette Top for SX800LSK (ACC0047)

Attaches to the top of the table to permit convenient lateral insertion of the x-ray cassettes. Covers the entire length and width of the table, and is easily removable. Made of phenolic board for radiolucency.



### Cassette Top for SXI800L (ACC0048)

Attaches to the top of the table to permit convenient lateral insertion of the x-ray cassettes. Covers the entire length and width of the table, and is easily removable. Made of phenolic board for radiolucency.

### Cassette Top for SXI800LSK (ACC0049)

Attaches to the top of the table, to permit convenient lateral insertion of the x-ray cassettes. Covers the entire length and width of the table and is easily removable. Made of phenolic board for radiolucency.



### Cassette Slide ACC0037

Slides X-ray cassette to appropriate position underneath the cassette tunnels of operating table.

## ACCESSORY PACKAGES

Item ID	Package Contents
GN0001	<p><b>SX800 Tabletop Pads</b></p> <ul style="list-style-type: none"> <li>1 CP001630 Head</li> <li>1 CP001636 Body</li> <li>1 CP001632 Short Leg</li> <li>1 CP001633 Leg Extension</li> </ul>
GN0002	<p><b>SXI800 Tabletop Pads</b></p> <ul style="list-style-type: none"> <li>1 CP001630 Head</li> <li>1 CP001631 Body</li> <li>1 CP001634 Left Leg</li> <li>1 CP001635 Right Leg</li> </ul>
GN0003	<p><b>SX800 Accessory Group 1</b></p> <ul style="list-style-type: none"> <li>3 ACC0001 Clark Socket for 3/8" x 1 1/8" Safety Side Rail</li> <li>4 ACC0004 Side Rail Lock for 3/8" x 1 1/8" Side Rail</li> <li>1 ACC0006 Anesthesia Screen</li> <li>2 ACC0009 Arm Board</li> <li>1 ACC0013 Shoulder Support (Left)</li> <li>1 ACC0014 Shoulder Support (Right)</li> <li>3 ACC0015 Lateral Support</li> <li>2 ACC0019 Leg Holder</li> <li>1 ACC0025 Restraint Strap</li> <li>1 ACC0032 Plastic Drain Pan</li> </ul>
GN0004	<p><b>SXI800 Accessory Group 1</b></p> <ul style="list-style-type: none"> <li>3 ACC0002 Safety Clark Socket for 3/8" x 1 1/8" Side Rail</li> <li>4 ACC0004 Side Rail Lock for 3/8" x 1 1/8" Side Rail</li> <li>1 ACC0006 Anesthesia Screen</li> <li>2 ACC0009 Arm Board</li> <li>1 ACC0013 Shoulder Support (Left)</li> <li>1 ACC0014 Shoulder Support (Right)</li> <li>3 ACC0015 Lateral Support</li> <li>2 ACC0019 Leg Holder</li> <li>1 ACC0025 Restraint Strap</li> <li>1 ACC0033 Deep Plastic Drain Pan</li> </ul>

## ACCESSORY PACKAGES

Item ID	Package Contents
GN0005	<p><b>SX800 Accessory Group 2</b></p> <ul style="list-style-type: none"> <li>1 ACC0001 Clark Socket for 3/8" x 1 1/8" Safety Side Rail</li> <li>2 ACC0004 Side Rail Lock for 3/8" x 1 1/8" Side Rail</li> <li>1 ACC0006 Anesthesia Screen</li> <li>2 ACC0009 Arm Board</li> <li>2 ACC0015 Lateral Support</li> <li>1 ACC0025 Restraint Strap</li> </ul>
GN0006	<p><b>SXI800 Accessory Group 2</b></p> <ul style="list-style-type: none"> <li>1 ACC0002 Safety Clark Socket for 3/8" x 1 1/8" Side Rail</li> <li>2 ACC0004 Side Rail Lock for 3/8" x 1 1/8" Side Rail</li> <li>1 ACC0006 Anesthesia Screen</li> <li>2 ACC0009 Arm Board</li> <li>2 ACC0015 Lateral Support</li> <li>1 ACC0025 Restraint Strap</li> </ul>
GN0007	<p><b>Pediatric Stirrup Package</b></p> <ul style="list-style-type: none"> <li>1 ACC0072 Junior PAL Stirrups (pair)</li> <li>1 ACC0073 Little PAL Stirrups (pair)</li> </ul>

## Accessories Listed by Item ID

Item ID	Name	SX800	SXI800
ACC0001	Clark Socket for 3/8" x 1 1/8" Safety Side Rail	✓	
ACC0002	Safety Clark Socket for 3/8" x 1 1/8" Side Rail		✓
ACC0004	Side Rail Lock for 3/8" x 1 1/8" Side Rail	✓	✓
ACC0006	Anesthesia Screen	✓	✓
ACC0007	Winged Anesthesia Screen	✓	✓
ACC0008	Infusion Stand	✓	✓
ACC0009	Arm Board	✓	✓
ACC0010	Multi-task Arm Board	✓	✓
ACC0012	Hourglass Table	✓	✓
ACC0013	Left Shoulder Support	✓	✓
ACC0014	Right Shoulder Support	✓	✓
ACC0015	Lateral Support	✓	✓
ACC0017	Perineal Cutout Filler Piece, Carbon-fiber	✓	✓
ACC0018	Perineal Cutout Filler Piece, Stainless Steel	✓	✓
ACC0019	Leg Holder	✓	✓
ACC0020	J Stirrup	✓	✓
ACC0022	Foot Rest	✓	
ACC0023	Left Foot Rest		✓
ACC0024	Right Foot Rest		✓
ACC0025	Restraint Strap	✓	✓
ACC0026	Basic Strap	✓	✓
ACC0028	Dorsal Cushion	✓	✓
ACC0029	Morgan Pelvic Rest	✓	✓
ACC0030	Uro Catcher System	✓	✓
ACC0031	Fluid Collector Bags	✓	✓
ACC0032	Plastic Drain Pan	✓	✓
ACC0033	Deep Plastic Drain Pan		✓
ACC0034	Metal Drain Pan	✓	✓
ACC0035	Adjustable Headrest Adapter	✓	✓
ACC0037	Cassette Slide	✓	✓
ACC0036	Ophthalmic Headrest with Surgeon Wrist Support	✓	✓
ACC0041	Transfer Board	✓	✓
ACC0042	Shoulder Attachment	✓	

## Accessories Listed by Item ID

Item ID	Name	SX800	SXI800
ACC0043	Pneumatic Shoulder Attachment		✓
ACC0045	Foot Controller	✓	✓
ACC0046	Cassette Top for SX800L	✓	
ACC0047	Cassette Top for SX800LSK	✓	
ACC0048	Cassette Top for SXI800L		✓
ACC0049	Cassette Top for SXI800LSK		✓
ACC0051	Table Width Extender	✓	✓
ACC0053	Elite Stirrups	✓	✓
ACC0054	Heavy Duty Stirrups	✓	✓
ACC0061	SX800 Orthopedic Extension	✓	
ACC0062	SXI800 Orthopedic Extension		✓
ACC0063	Accessory Cart	✓	✓
ACC0064	IA Extender	✓	✓
ACC0070	Standard Stirrups	✓	✓
ACC0071	Basic Stirrups	✓	✓
ACC0072	Junior PAL Stirrups	✓	✓
ACC0073	Little PAL Stirrups	✓	✓
ACC0074	Stirrup Cart	✓	✓
ACC0075	Cysto-Lift Knee Crutch	✓	✓
ACC0076	Safety Drape	✓	✓
ACC0077	Clear View Drape	✓	✓
ACC0078	LPS Arm Support	✓	✓
ACC0080	Deluxe Arthroscopic Legholder System	✓	✓
ACC0081	Traction Tower	✓	✓
ACC0082	Equalizing Device	✓	✓
ACC0083	Mesh Finger Traps	✓	✓
ACC0085	Arm Trap	✓	✓
ACC0086	Flexible Anesthesia Screen	✓	✓
ACC0087	Flexible Hand Positioner	✓	✓
ACC0089	Top Foam Pad	✓	✓
ACC0090	Egg Crate Foam	✓	✓
ACC0091	Clamshell Stirrup Pads	✓	✓
	DORO® Neurosurgery Headrest	✓	✓

## Accessories Listed by Procedure

### Bariatric Procedures

SX800		SXI800	
<b>ACC0054</b>	Heavy Duty Stirrups (pair)	<b>ACC0054</b>	Heavy Duty Stirrups (pair)
<b>ACC0004</b>	+2 Side Rail Locks	<b>ACC0004</b>	+2 Side Rail Locks
<b>ACC0010</b>	2 Multi-Task Arm Boards	<b>ACC0010</b>	2 Multi-Task Arm Boards
<b>ACC0001</b>	+2 Clark Sockets	<b>ACC0002</b>	+2 Safety Clark Sockets
<b>ACC0025</b>	Restraint Strap	<b>ACC0025</b>	Restraint Strap
<b>ACC0076</b>	Safety Drape	<b>ACC0076</b>	Safety Drape
<u>or</u>	<u>or</u>	<u>or</u>	<u>or</u>
<b>ACC0077</b>	Clear View Drape	<b>ACC0077</b>	Clear View Drape
<b>ACC0051</b>	4 Table Width Extenders	<b>ACC0051</b>	4 Table Width Extenders

### Neurosurgery Procedures

SX800		SXI800	
<b>ACC0035</b>	Adjustable Headrest Adapter	<b>ACC0035</b>	Adjustable Headrest Adapter
	DORO® Neurosurgery Headrest		DORO® Neurosurgery Headrest
<b>ACC0010</b>	2 Multi-Task Arm Boards	<b>ACC0010</b>	2 Multi-Task Arm Boards
<b>ACC0001</b>	+2 Clark Sockets	<b>ACC0002</b>	+2 Safety Clark Sockets
<b>ACC0025</b>	Restraint Strap	<b>ACC0025</b>	Restraint Strap
<b>ACC0022</b>	Foot Rest	<b>ACC0023</b>	Left Foot Rest
<b>ACC0004</b>	+2 Side Rail Locks	<b>ACC0024</b>	Right Foot Rest
		<b>ACC0002</b>	+2 Safety Clark Sockets

## Ophthalmic, ENT & Plastic Surgery

<b>SX800</b>		<b>SXI800</b>	
<b>ACC0036</b>	Ophthalmic Headrest with Surgeon Wrist Support	<b>ACC0036</b>	Ophthalmic Headrest with Surgeon Wrist Support
<b>ACC0009</b>	2 Arm Boards	<b>ACC0009</b>	2 Arm Boards
<b>ACC0025</b>	Restraint Strap	<b>ACC0025</b>	Restraint Strap
<b>ACC0022</b>	Foot Rest	<b>ACC0023</b>	Left Foot Rest
<b>ACC0004</b>	+2 Side Rail Locks	<b>ACC0024</b>	Right Foot Rest
		<b>ACC0002</b>	+2 Safety Clark Sockets
<b>ACC00045</b>	Foot Controller	<b>ACC0045</b>	Foot Controller

## Orthopedics

<b>SX800</b>		<b>SXI800</b>	
<b>ACC0061</b>	SXI800 Orthopedic Extension	<b>ACC0062</b>	SX800 Orthopedic Extension
<b>ACC0081</b>	Traction Tower	<b>ACC0081</b>	Traction Tower
<b>ACC0085</b>	Arm Trap	<b>ACC0085</b>	Arm Trap
<b>ACC0082</b>	Equalizing Device	<b>ACC0082</b>	Equalizing Devices
<b>ACC0083</b>	Mesh Finger Traps	<b>ACC0083</b>	Mesh Finger Traps
<u>or</u>	<u>or</u>	<u>or</u>	<u>or</u>
<b>ACC0084</b>	Stainless Steel Finger Traps	<b>ACC0084</b>	Stainless Steel Finger Traps
<b>ACC0009</b>	Arm Board	<b>ACC0009</b>	Arm Board
<b>ACC0010</b>	Multi-Task Arm Board	<b>ACC0010</b>	Multi-Task Arm Board
<b>ACC0001</b>	+Clark Socket	<b>ACC0002</b>	+Safety Clark Socket
<b>ACC0041</b>	Transfer Board	<b>ACC0041</b>	Transfer Board

## Urology

<b>SX800</b>		<b>SXI800</b>	
<b>ACC0064</b>	IA Extender (for tables without slide)	<b>ACC0064</b>	IA Extender (for tables without slide)
<b>ACC0009</b>	Arm Boards	<b>ACC0009</b>	Arm Boards
<b>ACC0045</b>	Foot Controller	<b>ACC0045</b>	Foot Controller
<b>ACC0041</b>	Transfer Board (when Patient is in reverse orientation)	<b>ACC0041</b>	Transfer Board (when patient is in reverse orientation)
<b>ACC0006</b>	Anesthesia Screen	<b>ACC0006</b>	Anesthesia Screen
<b>ACC0001</b>	+ Clark Socket	<b>ACC0002</b>	+ Safety Clark Socket
<u>or</u>	<u>or</u>	<u>or</u>	<u>or</u>
<b>ACC0086</b>	Flexible Anesthesia Screen	<b>ACC0086</b>	Flexible Anesthesia Screen
<b>ACC0001</b>	+2 Clark Sockets	<b>ACC0002</b>	+2 Safety Clark Sockets
<b>ACC0032</b>	Plastic Drain Pan Deep	<b>ACC0032</b>	Plastic Drain Pan
<u>or</u>	<u>or</u>	<u>or</u>	<u>or</u>
<b>ACC0034</b>	Metal Drain Pan	<b>ACC0033</b>	Deep Plastic Drain Pan
<u>or</u>	<u>or</u>	<u>or</u>	<u>or</u>
<b>ACC0030</b>	Uro Catcher System	<b>ACC0034</b>	Metal Drain Pan
<b>ACC0031</b>	+ Fluid Collector Bags	<u>or</u>	<u>or</u>
		<b>ACC0030</b>	Uro Catcher System
		<b>ACC0031</b>	+ Fluid Collector Bags

<b>ACC0019</b>	2 Leg Holders	<b>ACC0019</b>	2 Leg Holders
<b>ACC0001</b>	+2 Clark Sockets	<b>ACC0002</b>	+2 Safety Clark Sockets
<u>or</u>	<u>or</u>	<u>or</u>	<u>or</u>
<b>ACC0020</b>	2 J Stirrups	<b>ACC0020</b>	2 J Stirrups
<b>ACC0001</b>	+2 Clark Sockets	<b>ACC0002</b>	+2 Safety Clark Sockets
<u>or</u>	<u>or</u>	<u>or</u>	<u>or</u>
<b>ACC0075</b>	Cysto-Lift Knee Crutches (pair)	<b>ACC0075</b>	Cysto-Lift Knee Crutches (pair)
<b>ACC0004</b>	+2 Side Rail Locks	<b>ACC0004</b>	+2 Side Rail Locks
<u>or</u>	<u>or</u>	<u>or</u>	<u>or</u>
<b>ACC0053</b>	Elite Stirrups (pair)	<b>ACC0053</b>	Elite Stirrups (pair)
<b>ACC0004</b>	+2 Side Rail Locks	<b>ACC0004</b>	+2 Side Rail Locks
<u>or</u>	<u>or</u>	<u>or</u>	<u>or</u>
<b>ACC0070</b>	Standard Stirrups	<b>ACC0070</b>	Standard Stirrups
<b>ACC0004</b>	+2 Side Rail Locks	<b>ACC0004</b>	+2 Side Rail Locks
<u>or</u>	<u>or</u>	<u>or</u>	<u>or</u>
<b>ACC0071</b>	Basic Stirrups	<b>ACC0070</b>	Basic Stirrups
<b>ACC0001</b>	+2 Clark Sockets	<b>ACC0002</b>	+2 Safety Clark Sockets
<b>ACC0076</b>	Safety Drape	<b>ACC0076</b>	Safety Drape
<u>or</u>	<u>or</u>	<u>or</u>	<u>or</u>
<b>ACC0077</b>	Clear View Drape	<b>ACC0077</b>	Clear View Drape

## Pediatric Procedures

<b>SX800</b>		<b>SXI800</b>	
<b>ACC0072</b>	Junior PAL Stirrups	<b>ACC0072</b>	Junior PAL Stirrups
<b>ACC0004</b>	+ 2 Side Rail Locks	<b>ACC0004</b>	+ 2 Side Rail Locks
<u>or</u>	<u>or</u>	<u>or</u>	<u>or</u>
<b>ACC0073</b>	Little PAL Stirrups	<b>ACC0073</b>	Little PAL Stirrups
<b>ACC0004</b>	+ 2 Side Rail Locks	<b>ACC0004</b>	+ 2 Side Rail Locks
<b>ACC0076</b>	Safety Drape	<b>ACC0076</b>	Safety Drape
<u>or</u>	<u>or</u>	<u>or</u>	<u>or</u>
<b>ACC0077</b>	Clear View Drape	<b>ACC0077</b>	Clear View Drape
<b>ACC0025</b>	Restraint Strap	<b>ACC0025</b>	Restraint Strap

## The SX800 Surgical Table Accessories Catalog



Visit our web site

[www.sunnexmedical.com](http://www.sunnexmedical.com)



230 Second Ave., 150 Suite  
Waltham, Ma 02451 USA

1551 102nd Ave.  
St. Petersburg, FL 33716

Toll Free: 800 445 7869  
Tel: 508 651 0009  
Fax: 508 651 0099  
E-mail: [sunnex@sunnex.com](mailto:sunnex@sunnex.com)