



SX800 AND SXI800 SURGICAL TABLE



Innovative, Versatile and Easy to Use



Perfect for Orthopedics, Cystoscopy, Urology, Pain Specialists, Multi-Specialty ASCs and Hospitals

Table of Contents

About Sunnex	2
»» About Sunnex and the SX 800 Series Surgical Table.	
SX800 Series Surgical Tables	3
»» Models and general features.	
Features and Benefits	4–5
»» Detailed features and descriptions.	
Surgical Table Positions	6–9
»» Samples and descriptions of procedure specific configurations and options.	
SX800 Models	10
»» Model dimensions and orientation details.	
Accessories & Range of Table Movements	11
»» Accessories list and Range of movement drawings.	
Specifications	12
»» Information on US and International models and features.	

About Sunnex

Sunnex has manufactured medical products for 35 years that set the standard for quality and durability. The Sunnex Surgical Tables were developed with the user and patient in mind and offers excellent versatility and ease of use. Sunnex surgical tables, SX800, offer the capacity to accommodate surgical procedures in nearly all fields, neurology, urology, orthopedics and cardiology. The tables features a comprehensive solutions for OR suites in hospital environments as well as Day Surgery clinics. Sunnex tables are available in both US domestic configurations as well as international versions.

Sunnex unique ergonomic table design simplifies patient positioning, the table also features a notably sturdy and low profile base, ensuring surgeon comfort and thereby reducing fatigue during long procedures.

The innovative design of the table provides benefits such as C-arm access. The built in X-ray cassette channels are beneath the entire table which eliminates the need for X-ray tabletops.

Durability through rust free components and fail-safe functions are important features of Sunnex SX800 series. Service and maintenance of the table is simple and innovative. The table has a self diagnosis with instant error code display and prevention of sectional conflicts. Mechanisms and electronics are designed in whole subassemblies which makes it easy and quick to service the table.

INNOVATION, RELIABILITY, VERSATILITY AND ERGONOMICS

The SX800 series sets a new precedent in its achievement of an innovative compact design while maintaining enough clinical versatility to accomodate surgical procedures in nearly all fields, including urology, neurology, orthopedics, and cardiology.

Designed to simplify patient positioning, the table also features a notably sturdy and low-profile base, ensuring surgeon comfort and therefore reducing fatigue during long procedures.

The ergonomic hand pendant is backlit, facilitating its operation during endoscopic surgery.

The intelligent design of the table provides benefits such as remarkable C-arm access, self diagnosis with instant error code display, and the prevention of sectional conflict.

In addition to the durable, rust-free components, the SX800 also incorporates several fail-safe functions to ensure its continuous operation.

SX800 Series Surgical Tables



Versatility

Safety

Ergonomics

Cost Effectiveness

Models	Floor Lock	Tabletop Slide	Kidney Elevator	Power Leg	Solid Leg section
SX800LSK	✔	✔	✔	✔	✔
SXI800LSK	✔	✔	✔		
SX800L	✔			✔	✔
SXI800L	✔				

Self Diagnose with Instant Error Code Display

A battery level indicator on the base panel displays the service code when the Service LED on the hand pendant is lit.



Safety Clark Socket

Safety Clark sockets can be fastened to the side rails without having an accessory attached. This helps prevent accidental drops and allows accessories to be positioned and secured more easily.



VERSATILE, EASY-TO-USE & INNOVATIVE

800 lb (362 kg) Weight Rating

Superior weight rating throughout all articulated sections.

Pressure Relief Mattresses

The mattresses disperse pressure and thus avoid causing patient bedsores, and are also flame-retardant, antistatic, and antibacterial.

12.2" Longitudinal Slide

12.2" Longitudinal Slide with slim central column and low-profile base facilitate maximum C-arm access.

Kidney Elevator

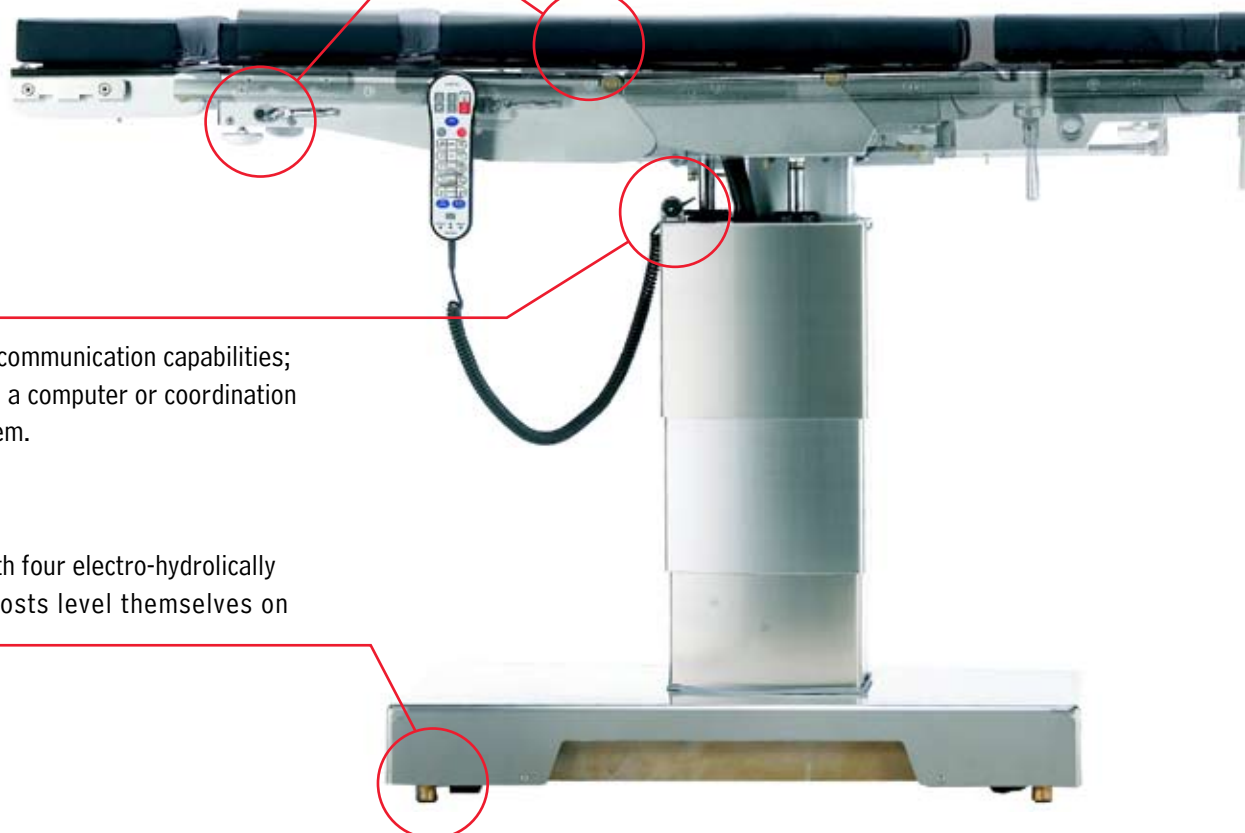
Made of carbon fiber for X-ray translucency, the kidney elevator is manually operated with a built-in ratchet wrench so that the pressure on the patient can be monitored.

USB Port

The port provides external communication capabilities; for example, diagnosis with a computer or coordination with an OR integrated system.

Floor Locks

SX800: Comes standard with four electro-hydraulically powered self-adjusting posts level themselves on uneven floors.



Override System

The override control system allows operation of basic table functions should the hand pendant become inoperative.



Built-in X-ray Cassette Channels

Having 14" wide X-ray cassette channels beneath the entire table eliminates the need for X-ray tabletops, thus making tabletop articulations possible and increasing patient safety.



Interchange of Head Section and Leg Sections

Interchangeable sections designed to operate seamlessly in reverse orientation provide the maximum X-ray translucent distance to the surgeon. The hand pendant is switched into reverse mode, and can operate all functions.



Detachable Split or Solid Section

Split legs can be opened for better patient access, or else removed entirely.



Hand Pendant

The hand pendant's back lit display illuminates the button, an essential feature for endoscopic surgery.

The intelligent patient orientation function automatically interprets positioning commands according to the selected orientation.

Functions such as LEVEL, FLEX, and REFLEX help quick and safe patient positioning.

Most of the possible sectional conflicts are paused by the control system; also the user is informed by the INTERLOCK LED and a warning sound.



Gall Bladder and Thoracic



Table Flexibility allows for optimal exposure of the operative area.

Minimum Suggested Accessories

- Anesthesia Screen with Safety Clark Socket (1)
- Arm Boards
- Foot Rest with Side Rail Locks (2)
- Restraint Strap

Gynecology and Abdominal



The combination of versatility and design along with the perineal cutouts allows J stirrups or leg holders to be used for gynecology and abdominal positioning to give excellent, on demand surgical access.

Minimum Suggested Accessories

- J Stirrups or Leg Holders with Safety Clark Socket (2)
- Arm Boards
- Drain Pan

Shoulder Surgery



The leg section is removed and the Pneumatic shoulder attachment is connected to either the back or seat section, providing comfortable anterior and posterior access to the shoulder area with no movement required during surgery.

Minimum Suggested Accessories

- Multi-task Arm Board with Safety Clark Socket (1)
- Foot Rests with Safety Clark Sockets (2)
- Pneumatic Shoulder Attachment
- Restraint Strap

Kidney and Thoracic Surgery

The patient can easily be situated laterally, and use of the flex function and/or kidney elevator aids surgical access.

Minimum Suggested Accessories

- Anesthesia Screen with Safety Clark Socket (1)
- Lateral Supports (3) with Side Rail Locks (3)
- Foot Rests with Safety Clark Sockets (2)
- Perineal Cutout Filler Piece
- Restraint Strap
- Arm Board



Cystoscopy and Endurology

With the patient in reverse orientation, the low-profile base and radiolucent tabletop supply the surgeon with superior IA coverage and ample KUB (kidney, ureters, bladder) access while leaving room for the flexible fluid collection system.

Minimum Suggested Accessories

- Anesthesia Screen with Safety Clark Socket (1)
- Stirrups with Side Rail Locks (2)
- Arm Boards
- Uro Catcher System
- Fluid Collector Bags
- Foot Controller
- Transfer Board (*need in reverse or orientation*)



Seated Position

The SX800 in normal orientation creates ample leg room for the seated position, and its extensive articulation of the back section provides excellent surgical access. 30° Trendelenburg movement form an ideal angle for Extracorporeal Membrane Oxygenation (ECMO) technique.

Minimum Suggested Accessories

- Multi-task Arm Board with Safety Clark Sockets (2)
- Foot Rests with Safety Clark Sockets (2)
- Restraint Strap



Kneeling Surgery



Opening the SX800's split leg sections provide excellent access during lumbar spine and rectal surgery with patient in a kneeling position.

Minimum Suggested Accessories

- Morgan Pelvic Rest with Safety Clark Sockets (2)
- Foot Rests with Side Rail Locks (2)
- Arm Boards

Split Leg Position



Allows for maximum access to the patient during laparoscopy and lower extremity orthopedic procedures.

Minimum Suggested Accessories

- Lateral Supports (2) with Side Rail Locks (2)
- Restraint Strap
- Arm Board

Ophthalmic



The SX800 provides a comfortable working environment for a seated surgeon, and ample room for necessary equipment.

Minimum Suggested Accessories

- Ophthalmic Headrest with Surgeon Wrist Support
- Arm Boards
- Restraint Strap
- Foot Controller

Prone or Supine Neurosurgery

The SX800 gives the surgeon excellent access to the thoracic spine area during spinal neurosurgery, as well as prone or supine craniotomy.

Minimum Suggested Accessories

- Adjustable Headrest Adapter
- Neurosurgery Headrest
- Dorsal Cushion (for spinal neurosurgery)
- Restraint Strap



Cardiovascular in Reverse Orientation

The SX800 in reverse orientation provides ample C-arm access for cardiac surgery, including endovascular and femoro-popliteal bypass surgery.

Minimum Suggested Accessories

- Winged Anesthesia Screen with Safety Clark Sockets (2)
- Perineal Cutout Filler Piece
- Arm Boards
- Restraint Strap



Nissen Fundoplication

The head section can be connected to the seat section, which provides excellent support to the patient and is manually adjustable during surgery. This eliminates the need for reverse Trendelenburg straps and power-lift stirrups, while maintaining maximum endoscopic access to the esophagus and stomach area.

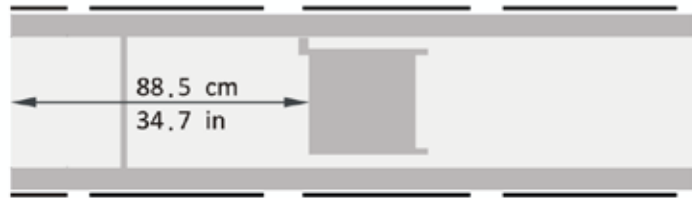
Minimum Suggested Accessories

- Multi-task Arm Boards with Safety Clark Sockets (2)
- Stirrups with Side Rail Locks (2)

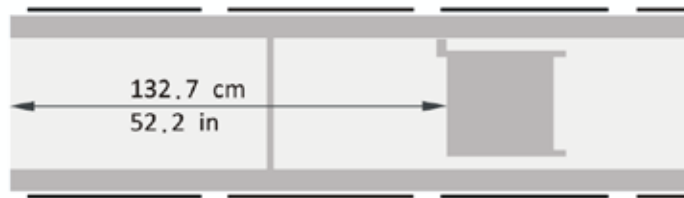


Models

- >>> SX800L
- >>> SXI800L



Normal orientation



Reverse orientation

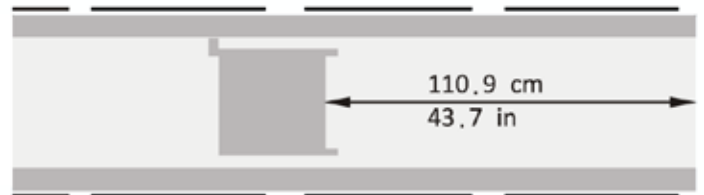
Table Imaging Coverage

Models

- >>> SX800LSK
- >>> SXI800LSK



Normal orientation slid to head end



Normal orientation slid to leg end



Reverse orientation slid to head end



Reverse orientation slid to leg end

All imaging coverages are 14 inches wide.

Accessories

Item ID	Description
ACC00002	Safety Clark Socket, for 3/8" x 1 1/8" Side Rail
ACC00004	Side Rail Locks, for 3/8" x 1 1/8" Side Rail
ACC00006	Anesthesia Screen
ACC00007	Winged Anesthesia Screen
ACC00008	Infusion Stand
ACC00009	Arm Board
ACC00010	Multi-Task Arm Board
ACC00012	Hourglass Table
ACC00013	Shoulder Support (left)
ACC00014	Shoulder Support (right)
ACC00015	Lateral Support
ACC00017	Perineal Cutout Filler Piece, Carbon Fiber
ACC00018	Perineal Cutout Filler Piece
ACC00019	Leg Holder
ACC00020	J Stirrup
ACC00023	Left Foot Rest
ACC00024	Right Foot Rest
ACC00025	Restraint Strap
ACC00028	Dorsal Cushion
ACC00029	Morgan Pelvic Rest
ACC00030	Uro Catcher System
ACC00031	Fluid Collector
ACC00034	Drain Pan
ACC00035	Adjustable Headrest Adapter
ACC00036	Ophtalmic Headrest with Surgeon Wrist Support
ACC00041	Transfer Board
ACC00043	Pneumatic Shoulder Attachment
ACC00044	Foot Controller
ACC00049	Cassette Top for SX800
ACC00051	Long Table Width Extender
ACC00052	Short Table Width Extender
ACC00053	Stirrups
ACC00054	SX800 Orthopedic Extension

See Sunnex Accessories catalogue for a complete offering.

Power Requirements

AC 110V / 5A, 300W, 50 / 60Hz or
AC 220V / 3A, 300W, 50 / 60Hz; single phase

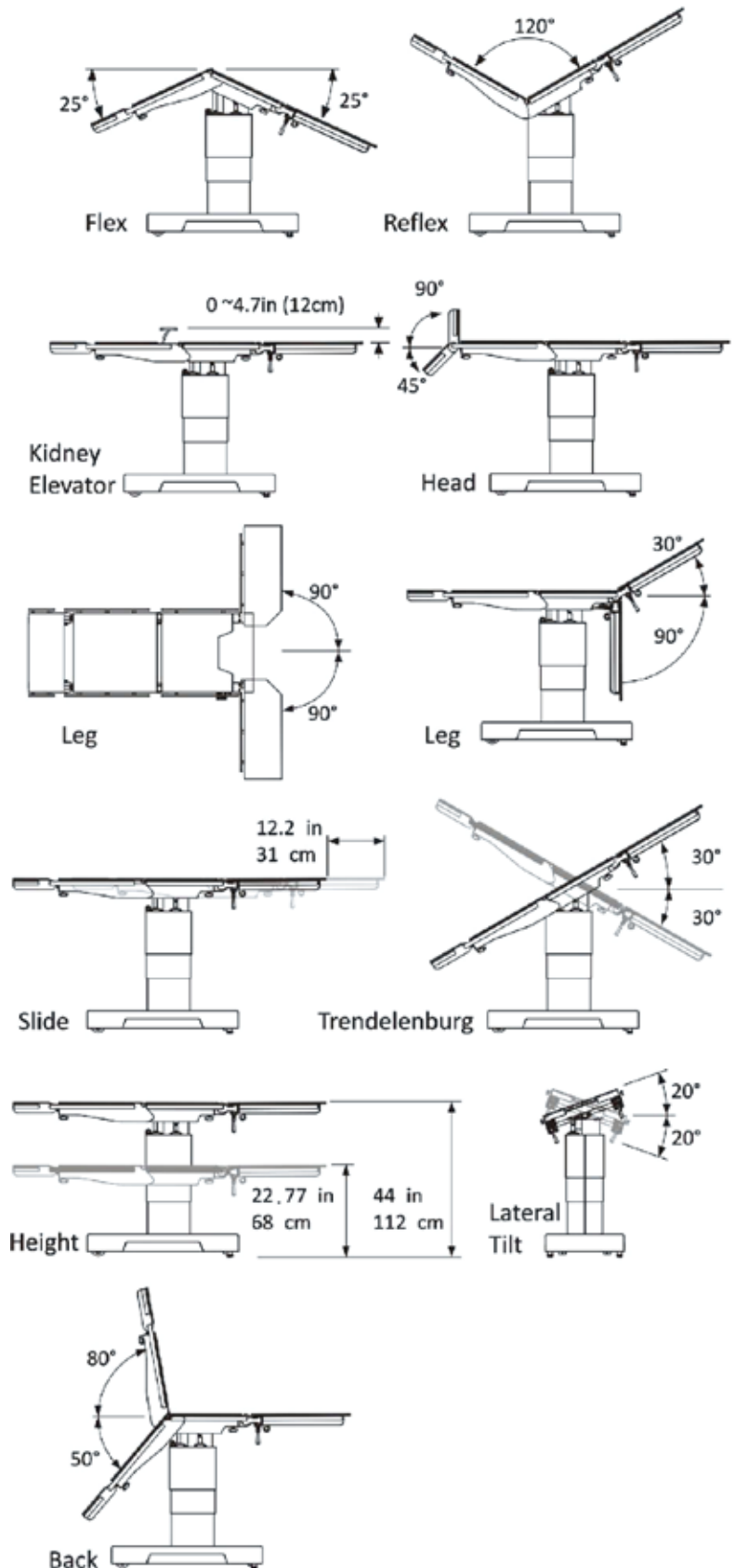
Battery Capacity

Main Battery Set: 24V, 14Ah
(12V / 14Ah *2, per each table)

Optional C-LiFePO4 Battery Pack:
24VDC / 17.4 Ah



Range of Table Movement



	FEATURES	United States		International	
		Sunnex SX800LSK	Sunnex SX800L	Sunnex SXI800LSK	Sunnex SXI800L
Table Top	Tabletop Sections	4	4	5	5
	Built in Kidney Elevator	Y	N	Y	N
	Leg section - Single	Y	Y	N	N
	Leg section - Split	N	N	Y	Y
	Frame Material	SS frame reinforced w/aluminum alloy	SS frame reinforced w/aluminum alloy	SS frame reinforced w/aluminum alloy	SS frame reinforced w/aluminum alloy
	Cassette Tunnel	Y	Y	Y	Y
	Accessory Anti Falling Device	Y	Y	Y	Y
	Max Load- Normal Orientation	800 lbs	800 lbs	362Kg (800 lbs)	362Kg (800 lbs)
	Max Load- Reverse Orientation	500 lbs	500 lbs	362Kg (800)	362Kg (800)
Pad	Anti static Surface	Y	Y	Y	Y
	Pressure Relief	Y	Y	Y	Y
	Flame Retardant	Y	Y	Y	Y
Base	Material of Base Cover	SUS#304	SUS#304	SUS#304	SUS#304
	Swivel Caster/Straight Caster	4/0	4/0	4/0	4/0
	Posts of Floor Lock	4	4	4	4
Electrical Control	Floor Lock	Y	Y	Y	Y
	Height	Y	Y	Y	Y
	Trendelburg	Y	Y	Y	Y
	Lateral Tilt	Y	Y	Y	Y
	Back Section	Y	Y	Y	Y
	Shoulder Section	Optional Feature	Optional Feature	N	N
	Leg Section	Y	Y	N	N
	Kidney Elevator	Y	N	Y	N
	Longitudinal Slide	Y	N	Y	N
	Table Transport	N	N	N	N
	Auto Leveling	Y	Y	Y	Y
	Flex/Reflex	Y	Y	Y	Y
	Position Memory	N	N	N	N
	Self Diagnosis	Y (Integrated Error Code)	Y (Integrated Error Code)	Y (Integrated Error Code)	Y (Integrated Error Code)
	Backlit Hand Pendant	Y	Y	Y	Y
	Power supply	AC 100-120 V and AC 200-240 V, 50-60Hz	AC 100-120 V and AC 200-240 V, 50-60Hz	AC 100-120 V and AC 200-240 V, 50-60Hz	AC 100-120 V and AC 200-240 V, 50-60Hz
Range of Movement	Height, inch (cm)	22.77- 44 (68-112)	22.77- 44 (68-112)	22.77- 44 (68-112)	22.77- 44 (68-112)
	Trendelburg	30° to 30°	30° to 30°	30° to 30°	30° to 30°
	Lateral Tilt	20° to 20°	20° to 20°	20° to 20°	20° to 20°
	Back Section (Up/Down)	80° to -50°	80° to -50°	80° to -50°	80° to -50°
	Shoulder Section (Up/Down)	Optional Feature	Optional Feature	Optional Feature	Optional Feature
	Head Section (Up/Down)	90° to 45°	90° to 45°	90° to 45°	90° to 45°
	Leg Section (Up/Down)	30° to -90°	30° to -90°	30° to -90°	30° to -90°
	Leg Section (Left/Right)			90° to 90°	90° to 90°
	Kidney Elevator, inch (cm)	4.72" (12 cm)		4.72" (12 cm)	
Longitudinal Slide, inch(cm)	12.2" (30 cm)		12.2" (30 cm)		
Fail Safe	Override Switch	Y	Y	Y	Y
	Built in Battery	Y	Y	Y	Y
	Foot Pump	N	N	N	N

The SX800 Surgical Table



Visit our web site

www.sunnexmedical.com



230 Second Ave., 150 Suite
Waltham, Ma 02451 USA

1551 102nd Ave.
St. Petersburg, FL 33716

Toll: Free 800 445 7869
Tel: 508 651 0009
Fax: 508 651 0099
E-mail: sunnex@sunnex.com